

OPERATION AND MAINTENANCE MANUAL

NOA Medical Industries Inc.



Bariatric Bed



TABLE OF CONTENTS

Warnings.....	3
Reducing the Risk of Entrapment.....	5
Steps to Prevent Bed Fires.....	5
Specifications and Conditions.....	6
Physical Specifications.....	6
Locating Your Serial Number.....	6
Environmental Conditions.....	6
Electrical Specifications.....	6
Installation.....	7
Adjusting the Mattress Deck Extension.....	7
Installing the Mattress Retainers.....	8
Installing the Head and Foot Boards.....	10
Securing the Power Cord.....	10
Bed Transport.....	10
Bed Operation.....	11
Operation of the Pendant.....	11
Accessories and Options.....	12
Battery Backup.....	12
In-Rail 4 Button and 6 Button Pendant.....	12
Servicing.....	13
Troubleshooting.....	13
MCL Control Box Socket Identification.....	14
Steps for Isolating Electrical Problems.....	14
Replacement of the Power Fuse.....	15
Replacement of Head and Knee Deck Actuators.....	15
Safety Lock: Brake Pad Replacement.....	16
Bariatric Bed Diagram and Parts List.....	17
Maintenance and Cleaning.....	17
Cleaning and Disinfecting the Bed.....	17
Periodic Inspection.....	18
Limited Warranty.....	19

Copyright ©2008 NOA Medical Industries, Inc. All rights reserved. Publisher reserves the right to make dimension or specification changes, or deletions, consistent with design trends, product improvements, or for reasons beyond our control. Publisher makes no warranties with respect to the accuracy or completeness of the contents of this manual. "V Riser," "AP Riser," "Twin Riser," and "Onyx" are trademarks of NOA Medical Industries, Inc.; other trademarks used in this document are property of their respective trademark holders.

SPECIAL NOTES

WARNINGS/CAUTION NOTICES in this manual apply to hazards or unsafe practices, which could result in personal injury and/or property damage.

NOTICE

The information in this document is subject to change without notice.

Check all parts for shipping damage before using. **DO NOT USE IF DAMAGED. ONLY USE AUTHENTIC NOA REPLACEMENT PARTS.** Contact NOA Medical Industries Inc. Customer Service 1 (636) 239-7600 and the freight carrier for further instruction.

This electric bed has been engineered to provide reliable operation.

This bed has been thoroughly tested and inspected prior to shipment.



DO NOT OPERATE THIS EQUIPMENT WITHOUT FIRST READING AND UNDERSTANDING THIS MANUAL. IF YOU ARE UNABLE TO UNDERSTAND THE WARNINGS, CAUTIONS, OR INSTRUCTIONS, CONTACT A HEALTH CARE PROFESSIONAL OR A QUALIFIED TECHNICIAN BEFORE USING THIS EQUIPMENT, OTHERWISE INJURY OR DAMAGE MAY RESULT.

- The bed should be left in its lowest position when unattended to reduce the risk of injury to the resident due to falls while getting into or out of bed or while lying in the bed.
- Do not use near explosive gases.
- Possible fire hazard when used with oxygen administering equipment other than nasal or masked type.
- When using nasal or masked type administering equipment, oxygen or air tubing **MUST** be routed and secured properly to ensure tubing does not become entangled, kinked, or severed during normal operation of the bed.
- When using liquids in or around the bed, caution should be taken to ensure that liquids of any kind are not spilled. If a liquid is spilled in or around the bed, **UNPLUG** the bed immediately. Clean up spill and allow bed and area around bed to dry thoroughly before using the electric controls again.
- Close supervision by a caregiver is necessary when this product is used near **CHILDREN OR PEOPLE WITH DISABILITIES**.
- **NEVER PERMIT ANYONE UNDER THE BED AT ANY TIME.**
- When operating/moving the bed always ensure that the individual utilizing the bed is positioned properly within the confines of the bed. **DO NOT** let any extremities protrude over the side or between the rails when performing these functions.
- After installation and before use, make sure all attaching hardware is securely tightened.
- Pendant cord must be routed and secured properly to ensure cord does not become entangled and damaged during normal operation of the bed.

WARNINGS

(continued)

- Keep all moving parts free from obstruction (i.e. blankets/sheets, pads, tubing, wiring, etc.) which may get tangled around the bed, side rails, or legs during operation of the bed.
- Beds are equipped with locking casters. Casters should be locked at all times except when moving the bed.
- The bed is not intended to be used for transporting residents and may NOT be used to transport residents.
- The mattress should be a hospital type mattress to allow for proper bed articulation. The mattress must be properly sized to meet entrapment zone dimensional guidelines published by the FDA.
- The side rails are NOT intended and may NOT be used as a restraint. If necessary, a physician or healthcare professional should be consulted for other means of safe restraint.
- When using safety side rails, if excessive side pressure is exerted on them they can be deformed or broken. Do not use side rails as handles to move the bed.
- Never permit more than one person in/on the bed at any time.
- Body weight should be evenly distributed over the surface of the bed. The bed weight capacity is 750 pounds. This is the total weight of the resident/patient, mattress, bedding, head and foot boards, side rails and any other accessories.
- Do not lie, sit, or lean in such a way that your entire body weight is placed only on RAISED head or foot sections of the bed. This includes while assisting the user in repositioning or transferring in or out of bed.
- The bed is provided with an additional safety feature of a protective earth ground. The electrical cord should only be plugged into a GROUNDED 110/120V outlet. DO NOT ALTER THE PROVIDED PLUG. If the plug does not fit the existing outlet, a licensed electrician should install a correct outlet. Never operate the bed if it has a damaged cord or plug.
- Unplug the power cord when performing any maintenance on the bed.
- Do not open any actuator, pendant, or control box. If these units are opened the warranty is voided.
- The Safety Lock provides the resident with a stable and secure bed, providing easy access in and out of the bed. Check that the Safety Lock is engaged and that the bed is solidly in place before leaving the bed unattended or before attempting resident transfers into or out of the bed.
- The Safety Lock is not intended to be used on a sloping floor or building access ramp. Use of the Safety Lock on a sloping floor or building access ramp could result in injury or death.
- The Safety Lock should be locked at all times except when the bed is being moved.
- For maximum resident safety, caster locks (if available) should be used in addition to the Safety Lock system.

FDA GUIDANCE FOR REDUCING THE RISK OF ENTRAPMENT

The Hospital Bed Safety Workgroup (HBSW) in partnership with the FDA has recognized potential entrapment zones in hospital bed systems and has developed dimensional guidance to reduce the risk of entrapment. The FDA considers the term “hospital bed system” to encompass the bed frame and its components, including the mattress, bed side rails, head and foot boards, and any accessories to the bed.

The entrapment zones involve the relationship of components controlled by the healthcare facility or individual user. Compliance to the dimensional guidelines for reducing the risk of entrapment is primarily the responsibility of the healthcare facility or the individual user.

Important Notice of Total Exclusion for Bariatric Beds:

The FDA Guidance Document states, “Bariatric (obesity) beds, pediatric beds and infant cribs are excluded because we (FDA and HBSW) did not use anthropometric data for these groups in determining the recommended dimensional limits of the entrapment zones in this guidance.”

The FDA Guidance Document further states, “The dimensions used in the FDA guidance are not intended to replace state law requirements that may exist. Moreover, some hospital beds excluded from the scope of the recommendations in this guidance may still be subject to dimensional limits under state laws.”

The FDA Guidance Document lists additional total and partial exclusions. Especially important are the partial exclusions regarding pressure reduction therapeutic products.

STEPS TO PREVENT BED FIRES

- Inspect the bed’s power cord for damage.
- Connect the power cord directly into a wall-mounted outlet that is in good working order, with no cracks or chips. The plug should fit tightly into the outlet. Any ground pin should be intact and secure.
- Do not connect the bed’s power cord to an extension cord or to a multiple-outlet strip.
- Do not cover any power cord with a rug. Heat may build up or the cord may be damaged.
- Inspect the floor beneath the bed for buildup of dust and lint. Ask housekeeping to clean if necessary.
- Inspect the bed controls, looking for signs of damage where liquids could leak in.
- Test the bed and its controls, including patient lockout features, to ensure that the bed can move up and down without damaging any cords.
- Check monitors and other patient equipment for signs of overheating or physical damage.
- Keep linens and clothes away from power sources.
- Tell maintenance staff about any unusual sounds, burning odors, or unusual movement of a bed.
- If you suspect overheating, follow your facility’s policy for fire safety and get the patient/resident to a safe area if necessary.

SPECIFICATIONS AND CONDITIONS

Physical Specifications

Item	80" Length	84" Length
Bed width	42"	42"
Width w/ side rails	47"	47"
Sleep deck	80"	84"
Overall bed length*	84.5"	88.5"
Deck height range	7" to 26"	7" to 26"
Safe Working Load**	750 lbs.	750 lbs.
Weight of Bed	285 lbs.	
Maximum Back Angle:	70 Degrees	
Maximum Hip to Knee Angle:	45 Degrees	
Maximum Ankle to Knee Angle:	10 Degrees	

- * O.A.L. includes both head and foot boards.
 **The Safe Working Load is the total weight, including the resident, mattress, bedding, head and foot boards, side rails, and other accessories evenly distributed on the sleep deck.

Environmental Conditions

Ambient temperature range of 50°F to 104°F +10°C to +40°C
 Relative humidity range of 30% to 75%
 Atmospheric pressure range of 20.6 to 31.3 Inches of Hg.

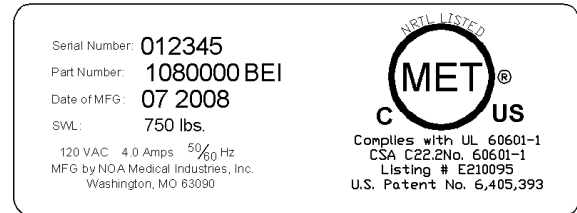
Control Box and Actuators - IP44

Protected against dust and splashing water.

Pendants – IP66

Protected against dust and low-pressure jets of water.

Locating Your Serial Number



The serial number label is located at the foot end of the bed, under the mattress support deck, on the bed frame.

Please have the serial number and model of the bed available when calling Customer Service 1(636) 239-7600.

Electrical Specifications

Power: 110/120 V.A.C.
 Frequency: 50/60 Hz
 Current Rating: 4.0 Amps
 Duty Cycle: 10% Max. (2 min. on/ 18 min. off)

INSTALLATION

Required Tools

- (1) - #2 Phillips Head Screwdriver
- (1) - 3/8" Wrench
- (1) - 1/2" Wrench
- (1) - 3/16" Allen Wrench

Hardware Bag Contents

- (8) - 1/4 - 20 x 1.5" Machine Screws
- (8) - 1/4 - 20 Insert Cap Nuts
- (1) - Adjustable Cable Clamp
- (1) - #10-12 x 3/4 Wood Screw

Upon receipt of your new bed, carefully inspect the bed and accessory components for any damage received in transit. Notify the NOA Customer Service at 1 (636) 239-7600 immediately if any product or component has been damaged or is missing from your shipment.

Bariatric Beds are shipped with transport dollies inserted in the head and foot board mounting tubes. Remove dollies to begin installation.

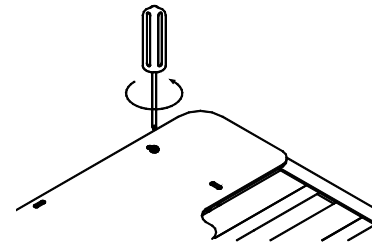
Adjusting Mattress Deck Extension

The mattress deck extension(s) allows the mattress deck to support 80" and 84" mattresses. First adjust head and foot boards as detailed in Installing the Head and Foot Boards.

The deck extensions should be set as shown in the table at right.

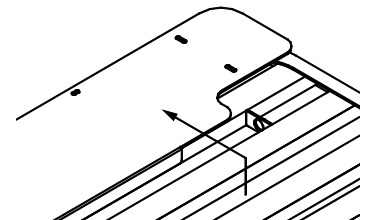
Bed Length	Head End Extension
80"	In
84"	Out

1. Remove the Phillips head screws that hold down the deck extension.

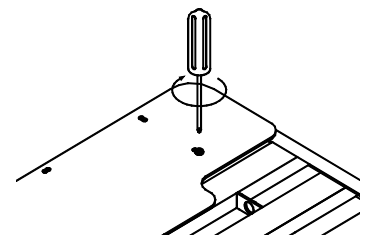


2. Move the deck extension(s).

Note: For an 84" mattress, move out the head end extension.



3. Secure the deck extension(s) by replacing the Phillips head screws that hold down the deck extension.



Installing the Mattress Retainers

Mattress Retainers should be installed on both ends and both sides of the bed to assist in maintaining proper alignment of the mattress during bed use. In order for the retainers to be effective, beds should be used in conjunction with a hospital grade mattress designed to allow for bed articulation. The mattress should be 6" thick by 42" wide with a length conforming to the chosen sleep deck length (80" or 84"). Mattress retainers should be installed prior to installation of any deck mounted side rails or assist bars. Do not install a Side Mattress Retainer where you will install a deck mounted side rail or assist bar.

Included Parts: 4 Side Mattress Retainers, 2 End Mattress Retainers, 4 washers, 4 bolts, 4 nuts

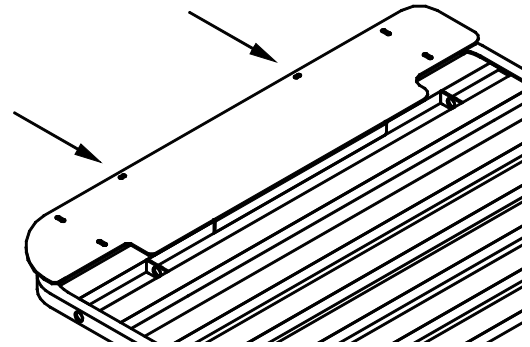
Side Mattress Retainers

1. Locate (2) $\frac{3}{4}$ " holes on the side of head/foot decks.
2. Place Side Mattress Retainer against the deck, lining up the outer holes on the Side Mattress Retainer with the deck holes.
3. Place washer behind deck hole. Align all three holes and insert bolt. Secure with nut, tightening with a $\frac{1}{2}$ " wrench and a $\frac{3}{16}$ " Allen wrench. Repeat for other end of Side Mattress Retainer.

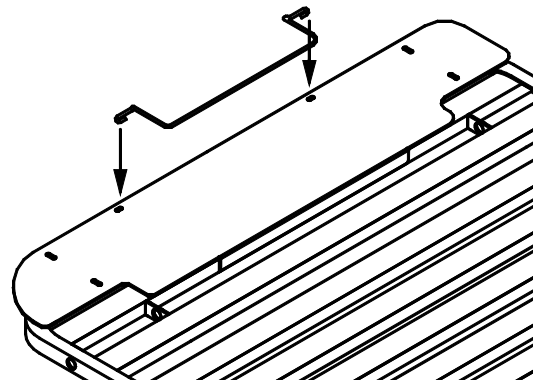


End Mattress Retainers

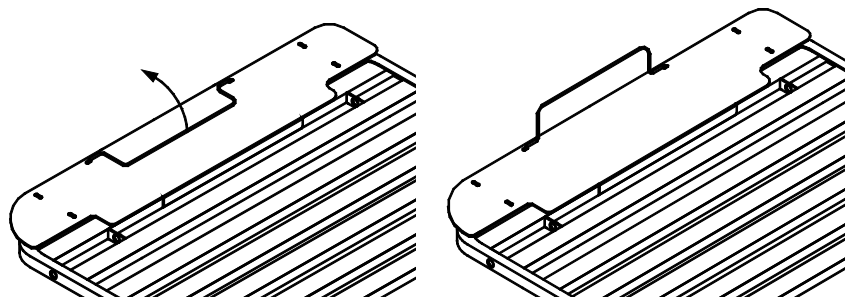
1. Locate (2) $\frac{1}{4}$ " x $\frac{3}{4}$ " slotted holes on the end of the head/foot decks or mattress deck extension (if extended).



2. Insert each leg of the End Mattress Retainer.



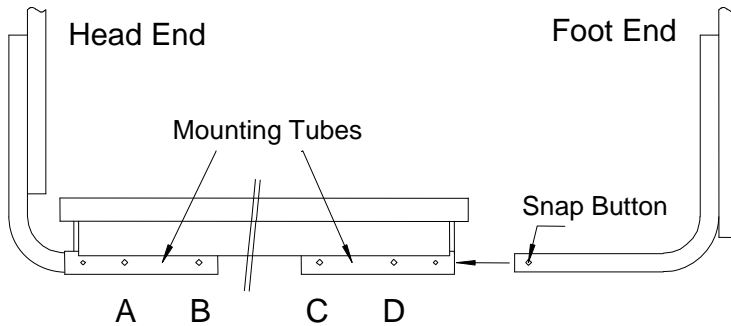
3. With the leg of each side of the End Mattress Retainer positioned in the $\frac{1}{4}$ " holes, rotate the Retainer outward.



4. Place the mattress on the rib-deck sleep surface. Check that all edges of the mattress are within the Retainers. A slightly compressed fit is desired. Ensure that the Retainers hold the mattress securely to prevent mattress slippage during head and foot deck articulation.

Installing the Head and Foot Boards

Insert the foot board brackets into the mounting tubes until snap buttons align in the holes as indicated below. Ensure that snap buttons are seated in the proper holes prior to bed use.



Bed Length	Head Board Bracket Hole	Foot Board Bracket Hole
80"	B	D
84"	A	D

Normally the cap nuts are installed in the head and foot boards at the factory. If they are not installed at the factory, insert the cap nuts provided in the hardware bag into the pre-drilled holes in the head and foot boards using a rubber mallet. If laminated on one side only, install the nuts on the laminated side of the board. Attach head and foot boards to the front face of the vertical bracket using the provided screws. Tighten all hardware.

Install accessory components as per their instructions.

Verify that there are no gaps between the mattress, head and foot boards, side rails, or any other accessories wide enough to entrap a resident's head, neck, or body.

Your bed is ready for use. The bed should be located and casters locked while the bed is in its lowest position. Adequate spacing must be maintained between the wall and the bed to prevent damage to the bed or walls while raising or lowering the bed. Check to be sure that vertical movement of bed does not interfere with the power cord or plug.

Securing the Power Cord

Approximately 8 feet of exposed power cord is provided with the bed. A cable tie has been supplied so that excess cord can be maintained and secured to the back of the head board. When securing the power cord, ensure that an adequate loose length is maintained to allow for the full range of motion of the bed.

Bed Transport

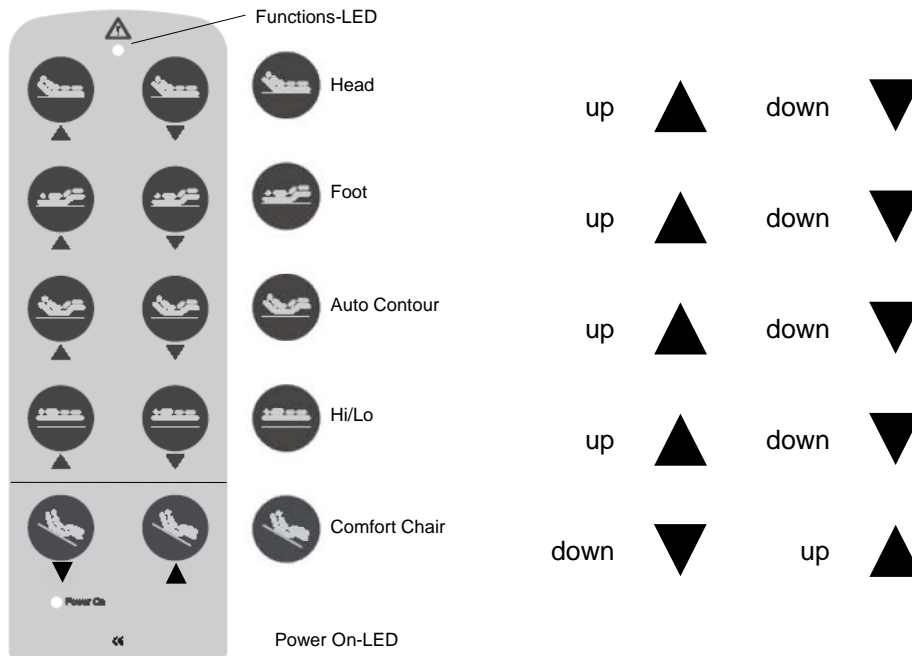
The bed features a rolling base that allows it to be rolled or locked at any bed height. In order to lock the bed, activate the brakes located on the twin wheel casters at the foot of the bed. To roll the bed, disengage brakes. Activating caster brakes does not disengage bed functions.

! CAUTION

If casters are not locked swivel and wheel rotation can allow for bed motion with little or no resistance. This can result in loss of balance, fall, and personal injury. Ensure that the casters are locked to prevent any bed movement during resident transfer and/or treatment.

BED OPERATION

Bed Positioning – Bed functions are operated with a 10 button pendant shown below. Button features on the pendant are clearly identified with universal icons.



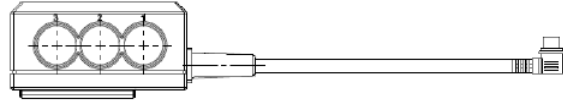
Operation of the Pendant

- To put the Pendant into operation, connect it to the MCL Control Box. The Power On LED **glows yellow**.
- Pressing any of the function buttons activates the function associated with that button. The Function LED **glows green**.

ACCESSORIES AND OPTIONS

Optional Battery Backup

In the event of a power failure the control box is provided with a power down feature that enables lowering the bed without AC power. In order to use this feature the control box must have the optional MBK battery backup (PN 4040055) and Interconnect cable (PN 4040064).



In-Rail 4 Button and 6 Button Pendant

The In-Rail 4 button and 6 button pendants are designed for easy customer installation in the Tall ½ Length Soft Touch Side Rail (PN 7540011XXX) and the Standard ½ Length Soft Touch Side Rail (PN 7540010XXX).

The In-Rail pendant may be used by itself or in conjunction with any of NOA's other pendants or foot board controls.

Once installed the In-Rail Pendant provides the resident with easy access when adjusting the bed for their personal comfort. The In-Rail Pendant comes equipped with either 4 buttons (PN 4040066) that controls the elevation of the head and foot, or 6 buttons (PN 4040067), which has the additional feature of bed height adjustment.

Because of the symmetrical design of the In-Rail pendant, it can be easily installed facing the outside of the Side Rail for access to the caregiver. When installed in this manner it allows a constant location that provides bed controls for the nursing care staff without searching for a pendant.

Since the In-Rail pendant is mounted in the rail, the damage to the pendant, due to stretching of the cord and dropping of the pendant, is virtually eliminated.

Six button In-Rail pendant (PN 4040066) shown being snapped into a standard height soft touch side rail (PN 7540010BLK).



Installation Instructions:

1. Snap the In-Rail pendant into the side rail. The In-Rail pendant may be mounted to face either the resident or the caregiver.
2. Plug the In-Rail pendant cord into either end of the "Y" cable located at the head end of the bed on both the left and right sides.

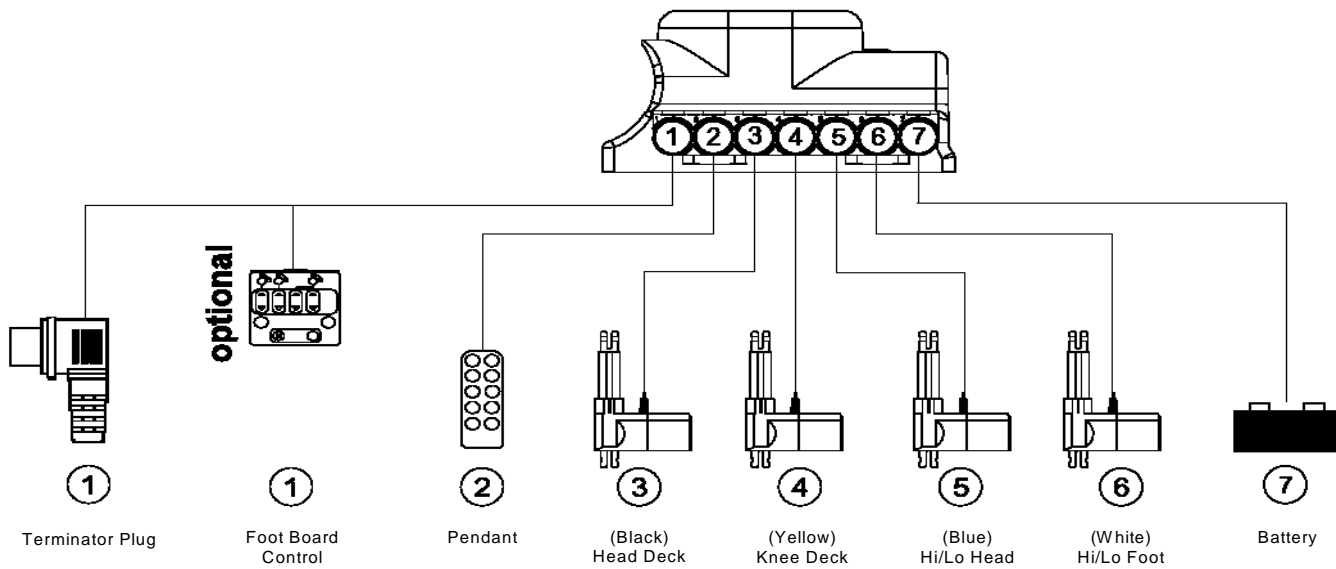
Note: To prevent damage to the pendant cord the cord must be routed on the outside of the bed side rail. Do NOT route the cord between the side rail and the mattress.

SERVICING

Trouble Shooting

SYMPTOM	POSSIBLE CAUSE(s)	ACTION
No Power	<ol style="list-style-type: none"> 1. Bed is not plugged into A/C power. 2. Cut/damaged power cord. 3. Pendant plug is loose. Cut/damaged pendant cord. 4. Actuator plug not connected. 5. Blown fuse in MCL control box. 	<ol style="list-style-type: none"> 1. Check plug to receptacle. 2. Check power cord for damage. 3. Check pendant cord for damage. 4. Check actuator connection to control box. Inspect actuator cord for damage. 5. See Replacement of the Power Fuse.
Actuators operate, but the wrong movement occurs	<ol style="list-style-type: none"> 1. Actuators are plugged into the wrong ports on the Control Box. 2. Cut/damaged pendant cord. 3. Damaged/defective y-cable. 	<ol style="list-style-type: none"> 1. See MCL Control Box Socket Identification showing port/socket locations. 2. Inspect pendant cord for damage. 3. Unplug the y-cable and plug the pendant directly into the control box port.
One or more actuators do not function	<ol style="list-style-type: none"> 1. Foot Board Control Cable or Terminator Plug is not connected. 2. Foot Board Controls in locked position. 3. Loose or unplugged connection of actuator cord to control box. 4. Cut/damaged actuator cord. 5. Defective actuator. 6. Defective control box. 7. Defective terminator plug. 8. Damaged/defective y-cable. 	<ol style="list-style-type: none"> 1. Check Foot Board Control Port to ensure either a cable or terminator plug is present. 2. Press the unlock button on foot board control pad. 3. Check actuator plug to control box. 4. Inspect actuator cord for damage. 5. Replace actuator. 6. Replace control box. 7. Replace terminator plug. 8. Unplug the y-cable and plug the pendant directly into the control box port.
Bed is not level when operating Hi/Low functions	<ol style="list-style-type: none"> 1. Bed bumped a wall or encountered other obstruction causing misalignment of actuators. 2. Bed being operated in the mid-range loaded at one end. 3. Damaged/defective y-cable. 	<ol style="list-style-type: none"> 1. Run bed to full up or full down position. 2. Run bed to full up then lower to desired height. 3. Unplug the y-cable and plug the pendant directly into the control box port.
The handset light turns red	<ol style="list-style-type: none"> 1. The terminator plug is in the wrong location. 	<ol style="list-style-type: none"> 1. Replace the handset. Place the terminator plug in the foot board control port on the MCL control box or in the foot board control disconnect cord. If the foot board control is connected, the terminator plug is not necessary and should be set aside.

MCL Control Box Socket Identification



Note: The Foot Board Port of the MCL Control Box must have **either** a foot board control extension cable with a terminator plug or a foot board control cable **or** a terminator plug connected directly to the control box for any of the bed functions to operate. All beds are shipped from the factory with a terminating plug connected to the foot board port of the MCL Control Box or at the end of an extension cable plugged into the MCL Control Box.

Steps for Isolating Electrical Problems

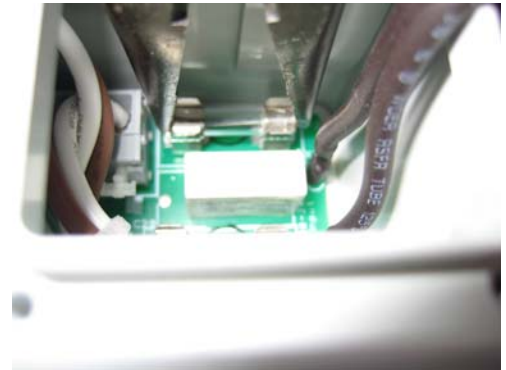
1. Check all connections.
2. Exchange pendant with a known working pendant.
3. Exchange actuator plugs at known working control box ports.
4. Check actuator with a known working control box.

IF USE OF THIS TROUBLE SHOOTING GUIDE DOES NOT CORRECT THE PROBLEM PLEASE CALL **CUSTOMER SUPPORT AT 1 (636) 239-7600.**

Replacement of the Power Fuse

Replace the fuse with a T-4.00 type fuse only.

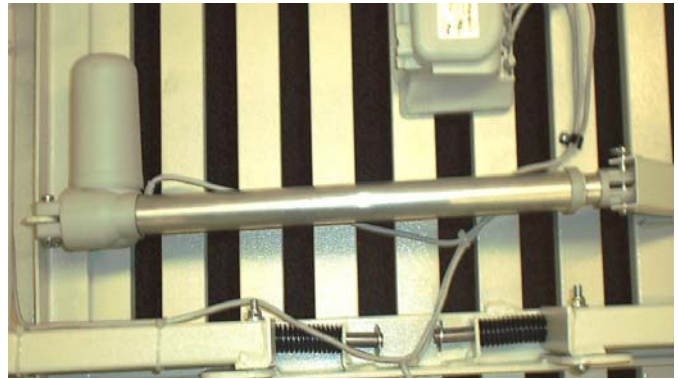
1. Unplug the power cord.
2. With help, turn the bed on its side.
3. Using a #1 Phillips screwdriver, remove 4 screws from the fuse access shaft cover (power cord strain relief).
4. Remove the connector cover plate from the control box, exposing wires and fuses.
5. Using needle nose pliers, grasp the fuse lengthwise on the metal ends.
6. Remove the fuse by pulling straight up from the fuse holder.
7. Using needle nose pliers, place the new fuse in the pliers, grasping the fuse on the ends. Insert the fuse into the fuse holder of the circuit board.
8. Replace the connector cover plate and 4 screws.
9. The power cord can now be plugged in and function test the controls.



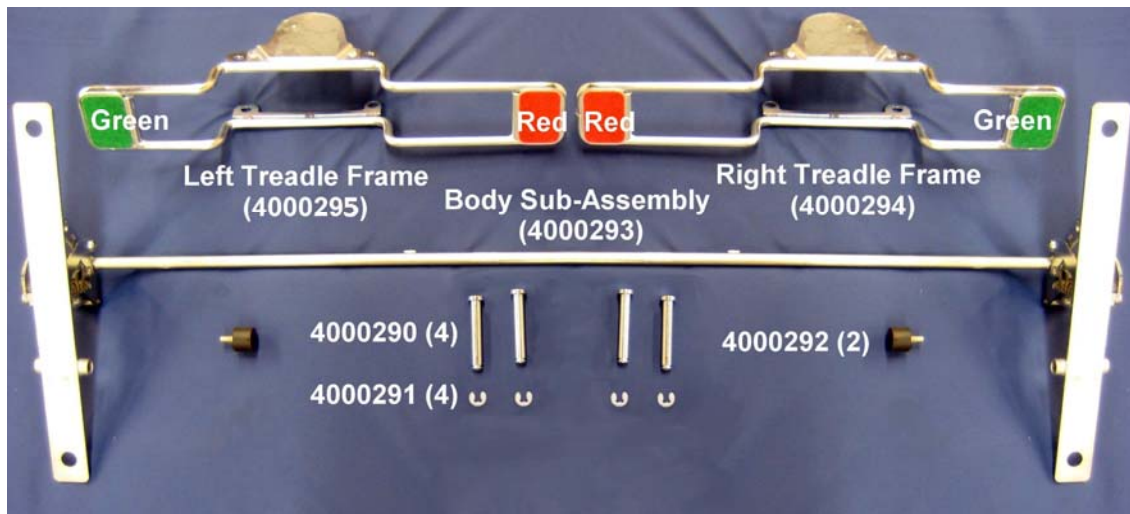
Replacement of Head and Knee Deck Actuators

Head and knee decks are removed by pulling clevis pins, removing wire wraps and strain relief, and disconnecting from the MCL Control Box.

When installing a replacement actuator, care should be taken to secure wiring with wire ties and strain relief. Make sure wiring can not be caught on any moving parts.



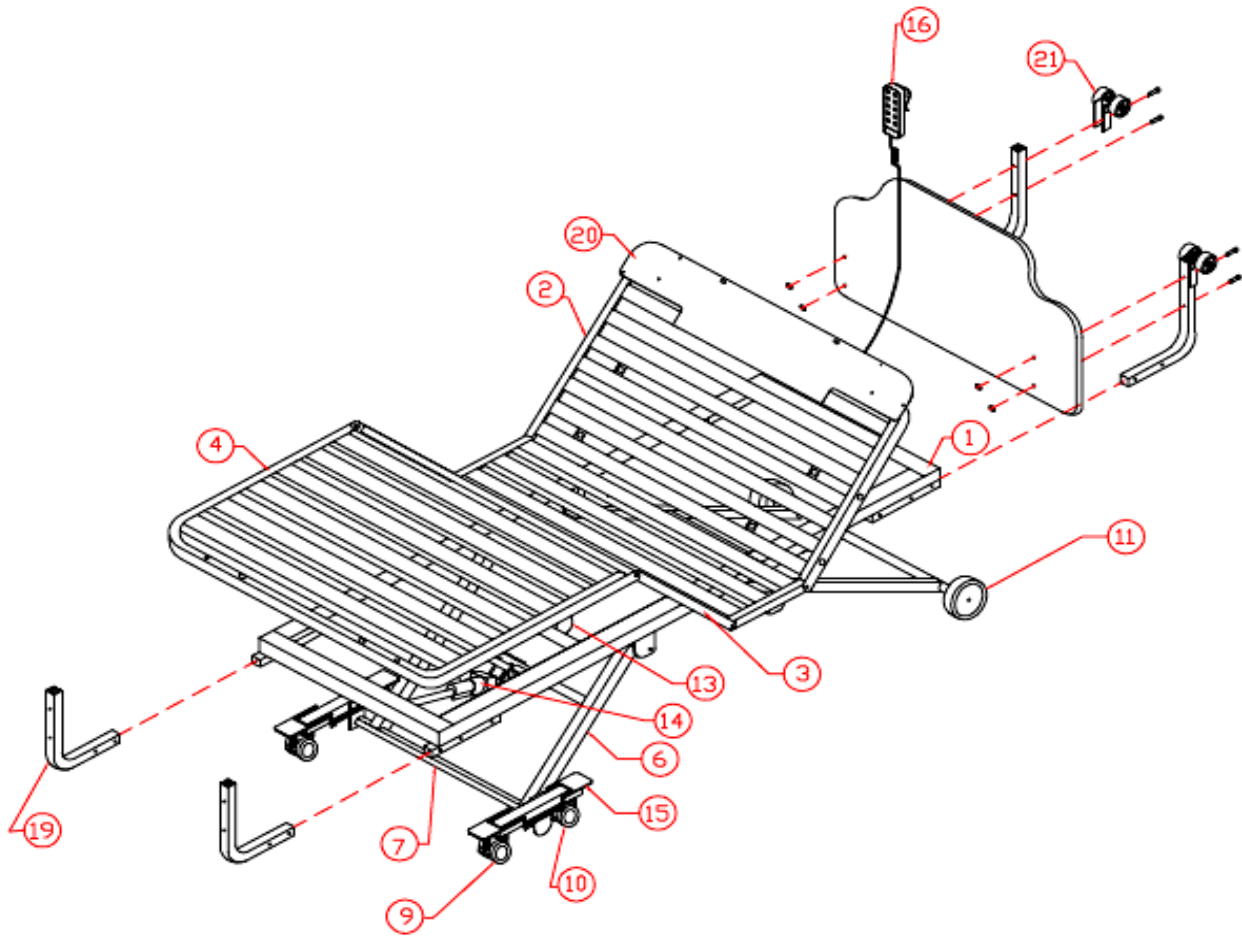
Safety Lock: Brake Pad Replacement



Check that brake pads (PN 4000292) are intact and offer sufficient resistance to hold the bed securely with a horizontal force of 65 pounds. If this test fails it is recommended that the brake pads be replaced. Contact your provider for further information.

Bariatric Bed Diagram and Parts List

1080000BEI



ITEM NO.	PART NUMBER	QT Y	DESCRIPTION
1	5250001BEI	1	Bed Frame
2	5250041BEI	1	Head Deck
3	5250014BEI	1	Knee Deck
4	5250046BEI	1	Foot Deck
N.S.	3040013	2	Leg Lift Support
6	5240035BEI	2	Elevation Leg
7	5240005BEI	1	Foot Caster Base
9	4040009	2	Caster Twin Locking
10	4040008	2	Caster Twin Non-Locking
11	4040010	2	Wheel - 4" X1-1/4" Wide
N.S.	4040001	1	Actuator - Head
13	4040002	1	Actuator - Foot
14	4040073	2	Actuator - Hi/Lo
15	7540018	1	Safety Lock

ITEM NO.	PART NUMBER	QT Y	DESCRIPTION
16	4040068	1	Pendant – Comfort Chair
N.S.	4000016	4	Clevis Pin 3/8" X 2-1/4"
N.S.	4000222	8	Cotter Pin (Rue Clip)
19*	1540001BEI	4	Head/Foot Board Bracket
20	3540042	1	Extension Plate
21	7040002	1	Wall Roller Bumper Kit
N.S.	3040000	4	Spring Retaining Rod
N.S.	4040015	4	Spring, Die - 1" X 4" HD
N.S.	4040018	2	Clevis Pin - 3/8" X 1-1/2"
N.S.	4040062	1	Pendant Disc. Y Cable
N.S.	4040069	1	Control Box
N.S.*	3040014	2	Mattress Retainer - End
N.S.*	7040028	2	Mattress Retainer - Side
-	7010012HDPE	1	Head/Foot Board

Note:

- N.S. – Not Shown
- *Indicates part is shipped in hardware box (PN 700043XXX).

MAINTENANCE AND CLEANING

Maintenance and cleaning procedures should be performed at least once a year or as required.

Cleaning and Disinfecting the Bed

1. ⚠ Unplug power cord before cleaning or performing maintenance on electric bed.
2. Do not submerge the pendant in liquid.
3. Do not steam or pressure wash the bed or any of its components.
4. Wipe down actuators, control box, pendant, and Safety Lock with a damp, well wrung out cloth or with a disinfecting wipe.
5. Excess water or liquid may damage electrical parts and poses a shock hazard.
6. Wipe down the remainder of the bed with a disinfectant.
7. Allow the bed and all of its components to dry completely before using.

Periodic Inspection

1. Perform the procedure “**STEPS TO PREVENT BED FIRES**” listed in this manual.
2. Review “**REDUCING THE RISK OF ENTRAPMENT**” listed in this manual.
3. Review and inspect for compliance the “**WARNINGS**” listed in this manual.
4. Check casters to ensure they lock, if applicable, and roll properly.
5. Inspect all bed components for damage or excessive wear.
6. Visually examine all welds for cracks.
7. Inspect the deck components for bending or damage.
8. Check the motor actuator shaft and its connections for bending, damage, or excessive wear.
9. Check actuator ends and its mounting hardware for bending or excessive wear.
10. Inspect the Safety Lock for cracked or missing brake pads, loose pins or e-rings, and excessive wear.
11. Inspect all bolts and fasteners. (Do not over tighten bolts at pivot points.)
12. Check all cords for cuts or other damage.
13. Make sure all plugs are fully seated.
14. Make sure all cords are free of moving parts.

LIMITED WARRANTY

The Manufacturer warrants to the original user ("Customer") all products manufactured by the Manufacturer to be free from defects in material and workmanship under normal use and service for a period of 3 years. If such a defect appears and Customer has given immediate written notice of same, the Manufacturer shall replace or repair such part at the Manufacturer's option. The Manufacturer will require the return of the defective part to establish the claim. The Manufacturer's obligation under this warranty shall be limited to said replacement and/or repair.

Installation and freight costs for replaced or repaired items remain the responsibility of the Customer. This warranty does not cover failure due to negligence, accident, deliberate abuse, nor improper installation and/or maintenance. Modifications made to products (including modifications without the expressed written consent of the Manufacturer) shall void this warranty in its entirety. NO FURTHER WARRANTIES, EXPRESS OR IMPLIED, INCLUDING, BUT NOT LIMITED TO, WARRANTIES OF MERCHANTABILITY OR FITNESS FOR A PARTICULAR PURPOSE NOT SPECIFIED HEREIN, ARE MADE BY THE MANUFACTURER, and this warranty sets forth the full extent of the liability arising from the manufacture, use or sale of the products and materials sold hereunder.

No allowances will be made for delays or loss of profit, nor for any other special, indirect or consequential damages or injuries, whether based on tort or contract.

Applicable warranty periods commencing from date of shipment from NOA are as follows:

- Welds Lifetime
- Electrical components 3 years
- Mechanical components 3 years
- Wood products 1 year

801 Terry Lane, Washington, Missouri 63090

Phone: (636) 239-7600 Fax: (636) 239-6900

www.noamedical.com